

# Delta Mixer - Direct Drive Model PD

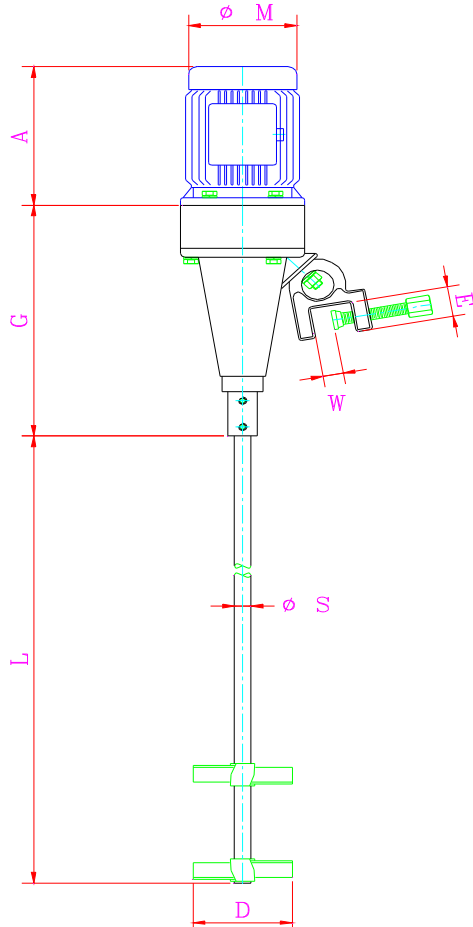
Delta's *super* duty cast iron mixer for the most difficult mixing applications, *superior to aluminum* mixers, especially in aggressive environments.

## Features

- ◆ Permanently greased bearings
- ◆ Aluminum/Cast Iron Housing
- ◆ Variety of propellers available
- ◆ TEFC enclosure is standard
- ◆ Other enclosures are available upon request
- ◆ Variable speed drives are also

Model No.	HP	Voltage ph.	rpm	Shaft Length L	Shaft Dia. S	G in.	A in	D in Single	D in. Dual	W in.	E in.	M in.
PD-0	1/3	110/1/60	1750	48"	3/4"	11.7	9.3	5	4	1.5	2	5.5
PD-1	1/2	110/1/60	1750	48"	3/4"	11.7	9.3	5	4	1.5	2	5.5
PD-2	1/2	460/3/60	1750	48"	3/4"	11.7	9.3	5	4	1.5	2	5.5
PD-3	3/4	110/1/60	1750	48"	1"	11.7	9.3	5	4	1.5	2	6.5
PD-4	3/4	460/3/60	1750	48"	1"	11.7	9.3	5	4	1.5	2	6.5
PD-5	1	110/1/60	1750	60"	1"	15.5	9.3	6	5	1.5	2	6.5
PD-6	1	460/3/60	1750	60"	1"	15.5	9.3	6	5	1.5	2	6.5
PD-7	1.5	460/3/60	1750	60"	1 1/4"	16	9.3	6	5	1.5	2 1/4	7.5
PD-8	2	460/3/60	1750	60"	1 1/4"	16	9.3	7	6	1.5	2 1/4	7.5

Overall Dimensions



Typical Mixer Installation

