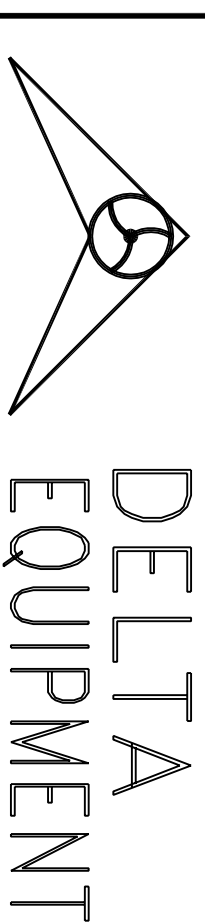


REVISIONS



**DELTA
EQUIPMENT**

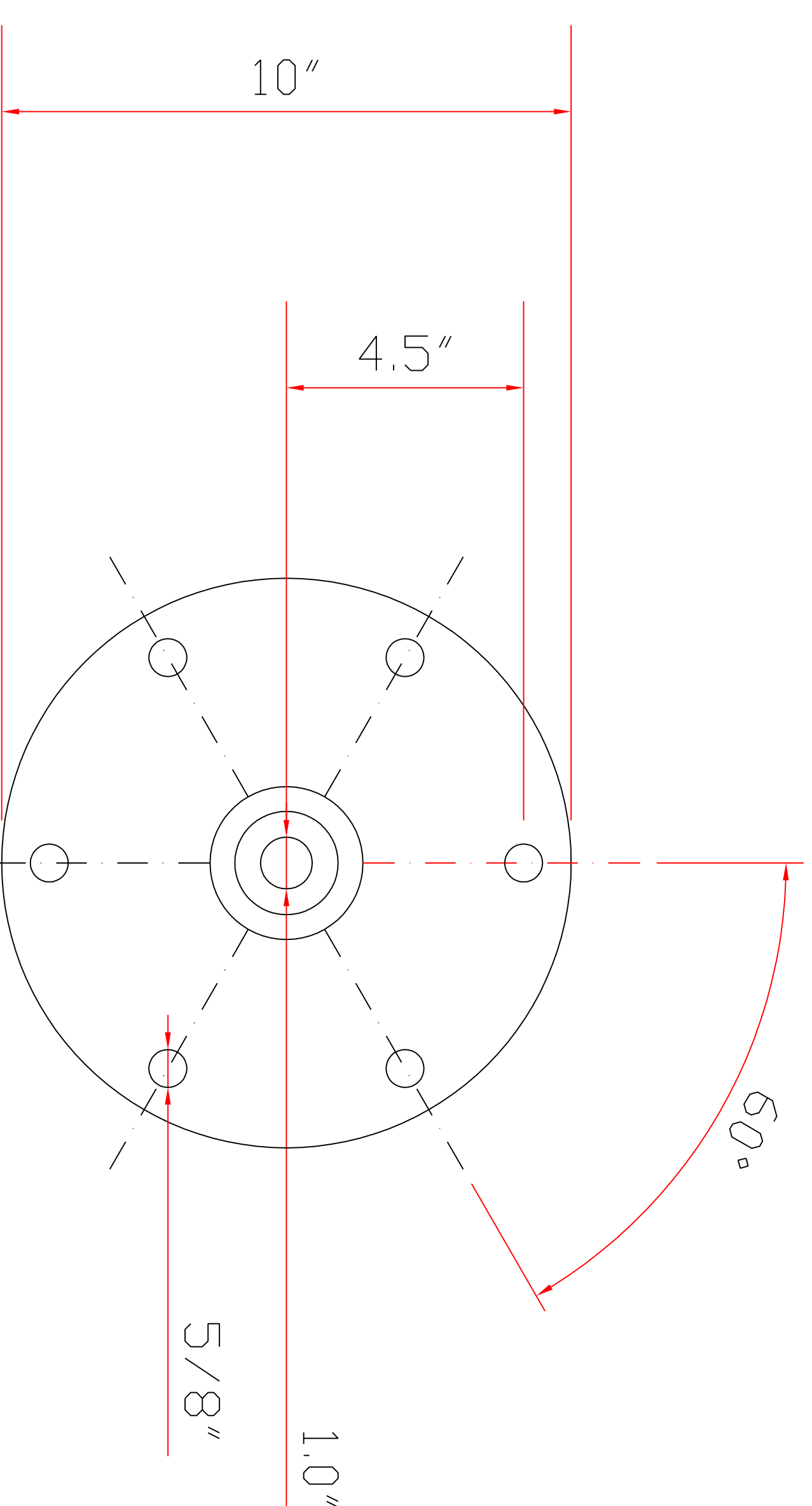
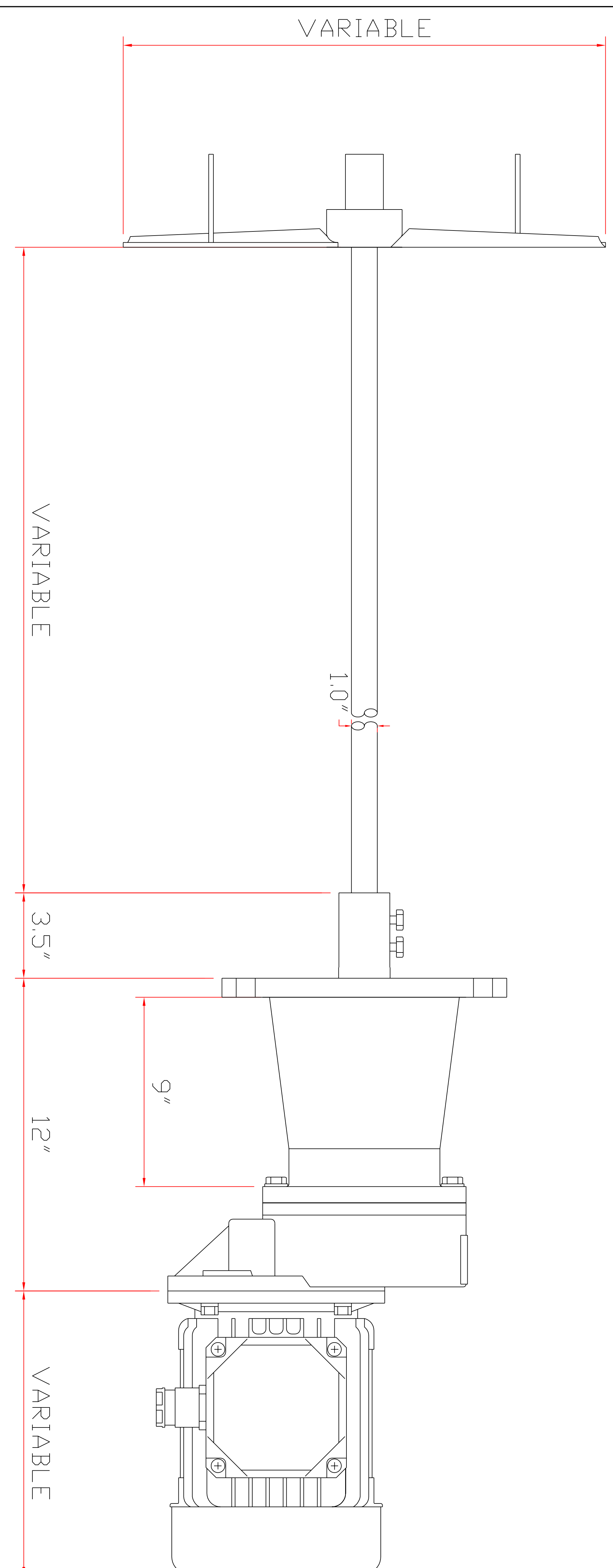
A DIVISION OF PBH INDUSTRIES LTD.

2400 WYECROFT ROAD
UNIT 4, DAKVILLE
ONTARIO L6L 6M8

PROJECT

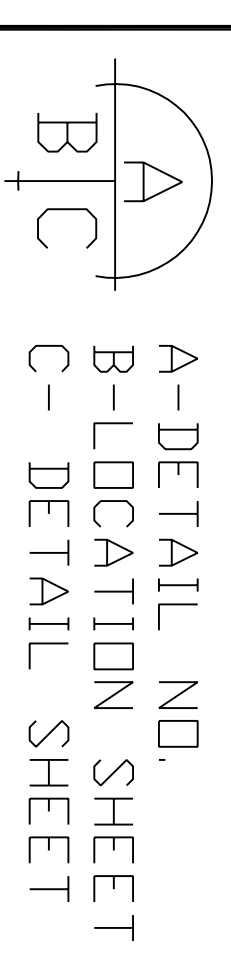
ENGINEERING
DELTA EQUIPMENT

GEN. CONTRACTOR



THIS DRAWING IS THE PROPERTY OF DELTA EQUIPMENT LIMITED AND IS CONDITIONALLY LOANED TO THE RECIPIENT WHO BY RECEIVING IT HAS AGREED TO USE IT ONLY AS AN AID IN THE ASSEMBLY OR OPERATION OF PRODUCTS SUPPLIED BY DELTA EQUIP. LTD. OR AS OTHERWISE EXPRESSLY AUTHORIZED IN WRITING BY DELTA EQUIP. LTD.

THE RECIPIENT HAS ALSO AGREED TO RETURN THIS DRAWING ON REQUEST, AND NOT TO REPRODUCE OR COPY IT IN WHOLE OR IN PART, OR TO FURNISH INFORMATION FROM IT TO OTHERS, OR TO MAKE ANY USE OF IT THAT MAY BE INJURIOUS TO DELTA EQUIP. LTD.



DRAWING TITLE :
**DMA PGF (90 FRM)
1.00 - 2.00 HP
DIM LAYOUT**

SCALE: **NOT TO SCALE**

DATE: **MARCH-14-06**

DRAWN BY: **FFP**

CHECKED BY: **PBH**

APPROVED BY:

JDB ND. DRWG. ND.

THIS DRAWING IS NOT TO SCALE. THE DIMENSIONS IN THIS DRAWING ARE FOR GENERAL REFERENCE ONLY